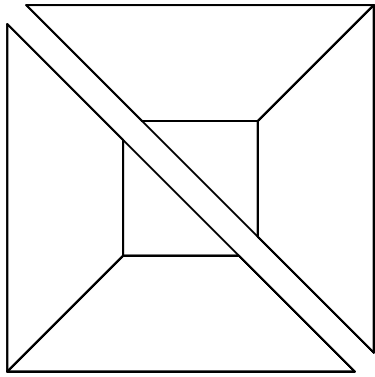


Along The Way



COLOR & FINISH SELECTION:

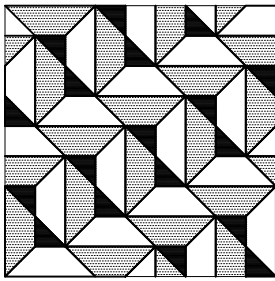
Color A: _____

Color B: _____

Color C: _____

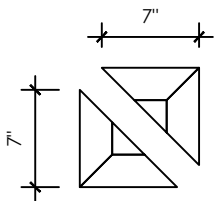
Color D: _____

PATTERN SELECTION:

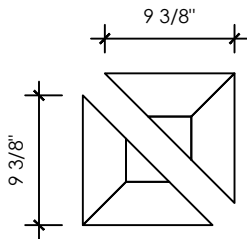


Pattern A - 1 to 3 Colors

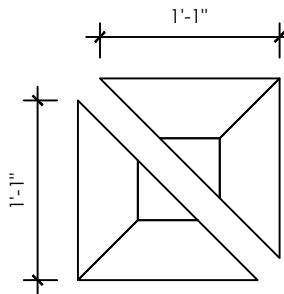
SCALE SELECTION:



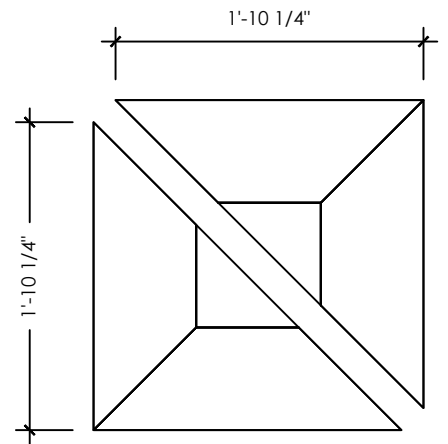
Petite (0.34 sf/ea)



Modest (0.61 sf/ea)



Grande (1.17 sf/ea)



Titan (3.44 sf/ea)

SPECIAL NOTES:

Project Name:

Revision Date:

Revision ID:

Location:

Area:

Representative:

Install Pattern:

Units:

Rep Email:

Scale:

Total Area:

Notes: Images are not drawn to scale