

Feathers

COLOR & FINISH SELECTION:

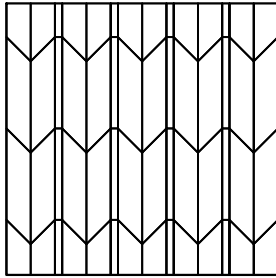
Color A: _____ Matte
 Polished

Color B: _____ Matte
 Polished

Color C: _____ Matte
 Polished

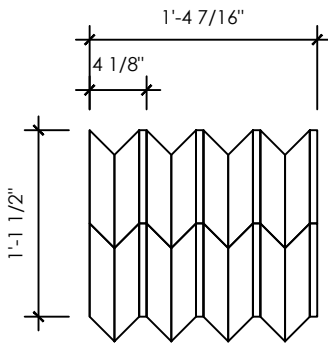
Color D: _____ Matte
 Polished

PATTERN SELECTION:

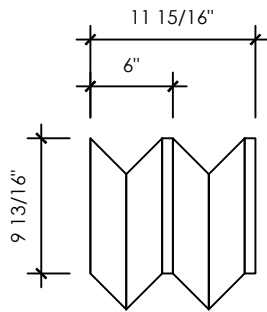


Pattern A
 1-3 Colors

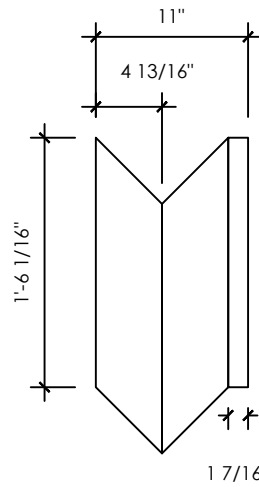
SCALE SELECTION:



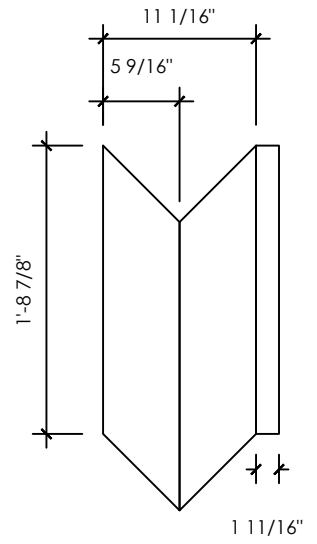
Petite (1.54 sf/sheet)



Modest (0.81 sf/sheet)



Grande (1.38 sf/unit)



Titan (1.845 sf/ea, loose)

SPECIAL NOTES:

Project Name:		Revision Date:		Revision ID:	
Location:	Area:	Representative:			
Install Pattern:	Units:	Rep Email:			
Scale:	Total Area:	Notes: Images are not drawn to scale			