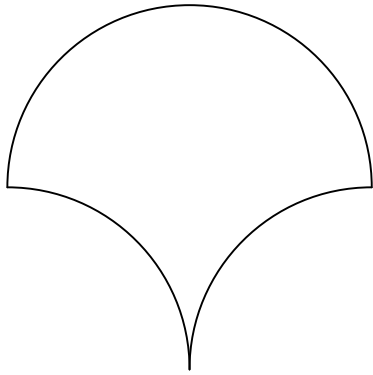


Fish Scale



COLOR & FINISH SELECTION:

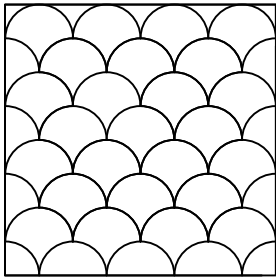
Color A: _____

Color B: _____

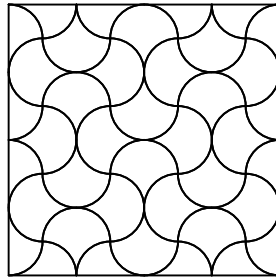
Color C: _____

Color D: _____

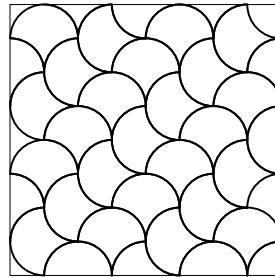
PATTERN SELECTION:



Pattern A - Straight set

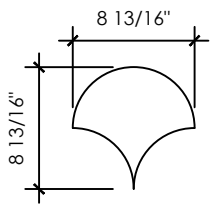


Pattern B - Rotate 90 degrees

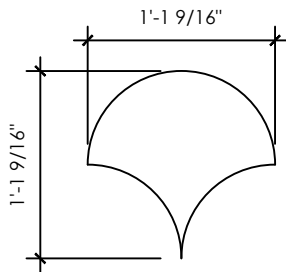


Pattern C - Rotate every other tile 45 degrees

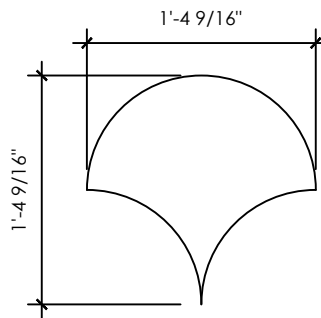
SCALE SELECTION:



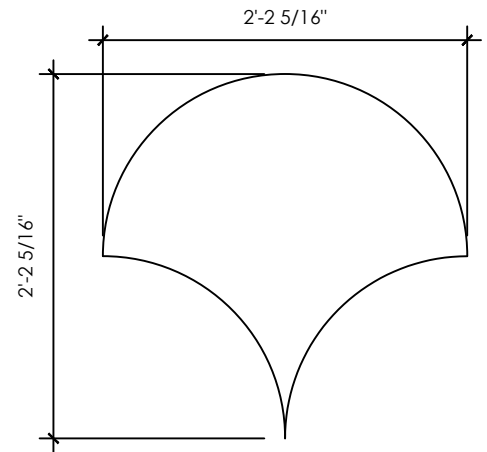
Petite (0.27 sf/ea)



Modest (0.64 sf/ea)



Grande (0.95 sf/ea)



Titan (2.41 sf/ea)

SPECIAL NOTES:

Project Name:

Revision Date:

Revision ID:

Location:

Area:

Representative:

Install Pattern:

Units:

Rep Email:

Scale:

Total Area:

Notes: Images are not drawn to scale