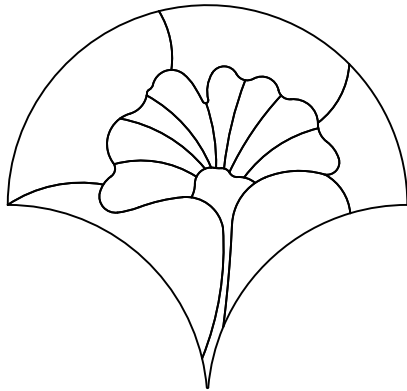


Heart & Soul



COLOR & FINISH SELECTION:

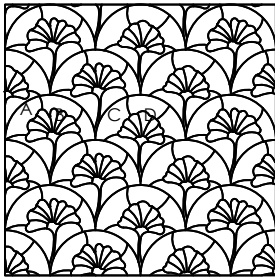
Color A: _____

Color B: _____

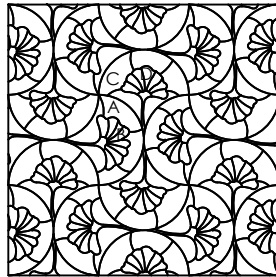
Color C: _____

Color D: _____

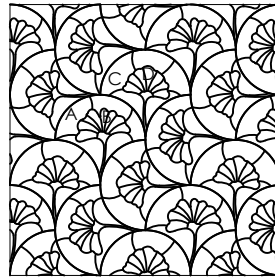
PATTERN SELECTION:



Pattern A - Unit A & B
Alternate & Straight Set
1 to 4 Colors

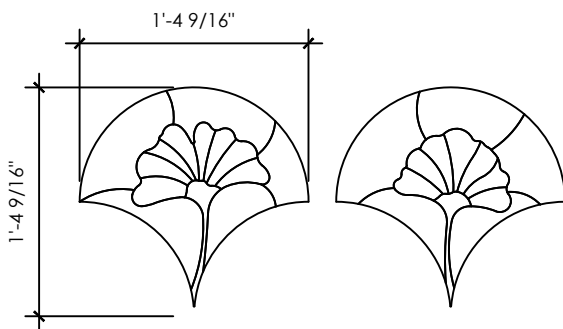


Pattern B - Unit A Horizontal
Rotated, Unit B Vertical Rotated
1 to 4 Colors

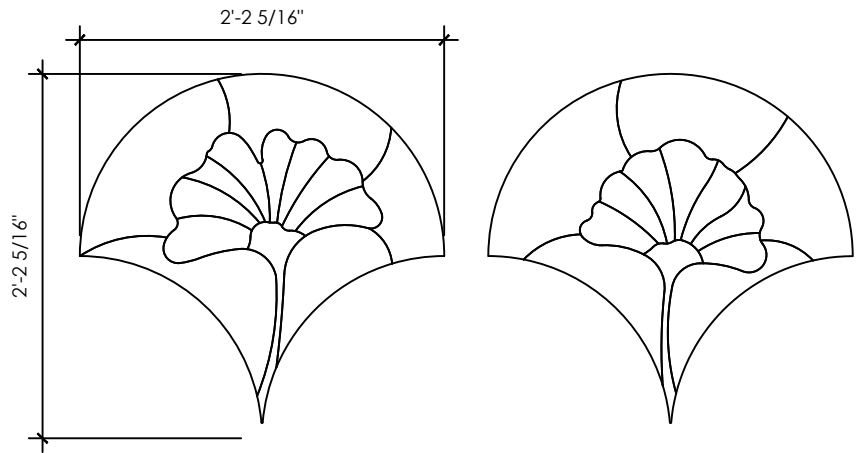


Pattern C - Alternate Unit A & B,
Vertical and Horizontal 1 direction only
1 to 4 Colors

SCALE SELECTION:



Unit A & B - Petite (0.95 sf/ea - single unit only)



Unit A & B Grande (2.41 sf/ea - single unit only)

SPECIAL NOTES:

Project Name:

Revision Date:

Revision ID:

Location:

Area:

Representative:

Install Pattern:

Units:

Rep Email:

Scale:

Total Area:

Notes: Images are not drawn to scale