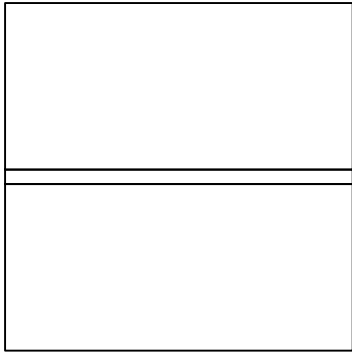


On The Horizon



COLOR & FINISH SELECTION:

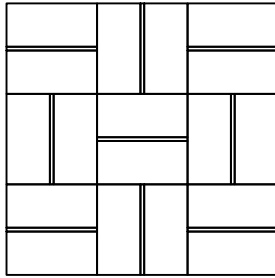
Color A: _____ Matte
 _____ Polished

Color B: _____ Matte
 _____ Polished

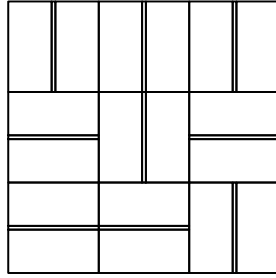
Color C: _____ Matte
 _____ Polished

Color D: _____ Matte
 _____ Polished

PATTERN SELECTION:

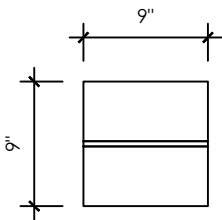


Pattern A - Checkerboard

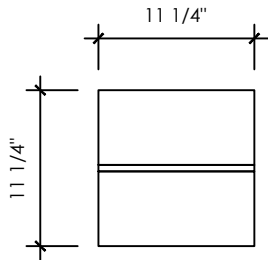


Pattern B - Rotate Randomly

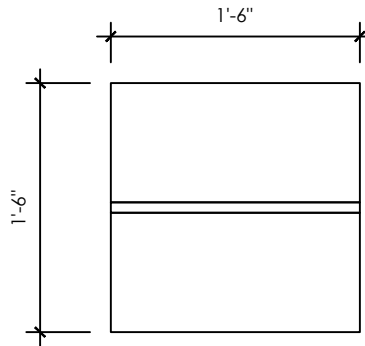
SCALE SELECTION:



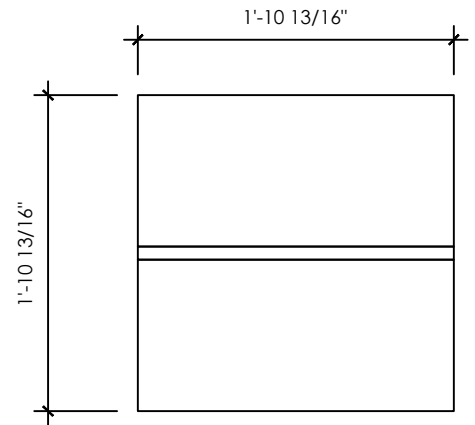
Petite (0.56 sf/ea)



Modest (.88 sf/ea)



Grande (2.25 sf/ea)



Titan (3.62 sf/ea)

SPECIAL NOTES:

Project Name:

Revision Date:

Revision ID:

Location:

Area:

Representative:

Install Pattern:

Units:

Rep Email:

Scale:

Total Area:

Notes: Images are not drawn to scale